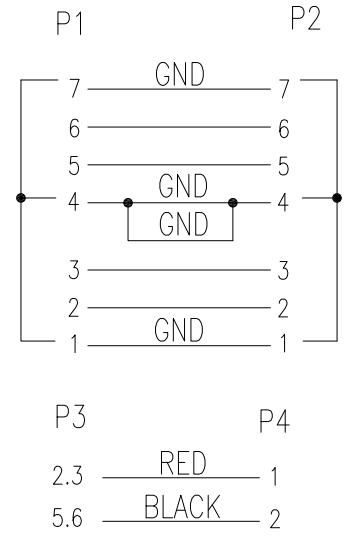
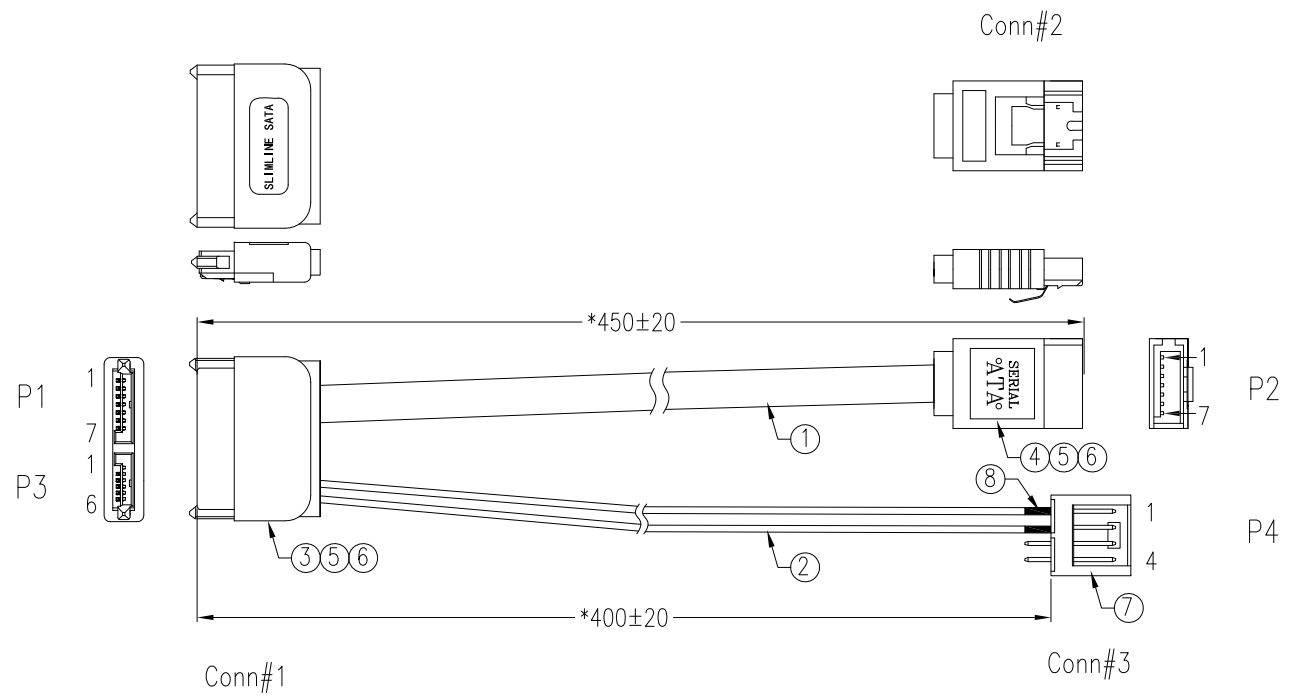


RoHS

Pin Assignment



Notes:

- Electronic Test:
 - 100% Open Short & Mis-Wire Test.
 - Contact Resistance: 3ΩMax.
 - Insulation Resistance: 5MΩMin.
 - Contact Voltage: DC300V 10ms.
- Part No.: LSAT-13F2DH89E-0454
- Critical Dimension: "*" Must To Be QC.

RoHS Compliant

Item	Name	Specifications	QTY	UNIT
8	TUBE	Heat Shrink, $\phi 2.0 \times 10\text{MM}$, Black Color	2	PCS
7	CONN#3	4P Power Wafer, Pitch 2.54mm, Translucent Color	1	PCS
6	OVER MOLD	PVC 45P, Black Color		
5	INNER MOLD	LD-PE, Inner Molding, Translucent		
4	CONN#2	SATA 7P, Female, Crimp Type, With Latched, Pin G/F Plating, Black Color	1	PCS
3	CONN#1	Slim Line SATA 7+6P Female, Crimp Type, Pin G/F Plating, Black Color	1	PCS
2	WIRE	UL1007 22AWG, Red Color & Black Color	400	MM
1	CABLE	UL2725 26AWG*4C+28AWG*3D+AL/MY, Jacket: PVC Red Color, OD:2.2mm*7.8mm	450	MM

A	03/19/17	RELEASED FOR PRODUCTION	
REV	DATE	DESCRIPTION	
UNLESS OTHERWISE SPECIFIED DIMENSIONS ARE IN MM TOLERANCES ARE:		CAD GENERATED DRAWING, DO NOT MANUALLY UPDATE	
DECIMALS	ANGLES	APPROVALS	DATE
.X ± .38	± 3°	DRAWN Chris	03/19/17
.XX ± .25		CHECKED Cindy	03/19/17
.XXX ± .20		APPV Jason	03/19/17
DO NOT SCALE DRAWING		SHEET 1 OF 1	SCALE NONE
		DWG NO. LSAT-13F2DH89E-0454	REV. A



DESCRIPTION SATA Cable, Slim Line SATA 7+6P Female to SATA 7P Female W/Latched Flat TL=450mm + Power 4P Wafer TL=400mm